

## Precision Sine Table

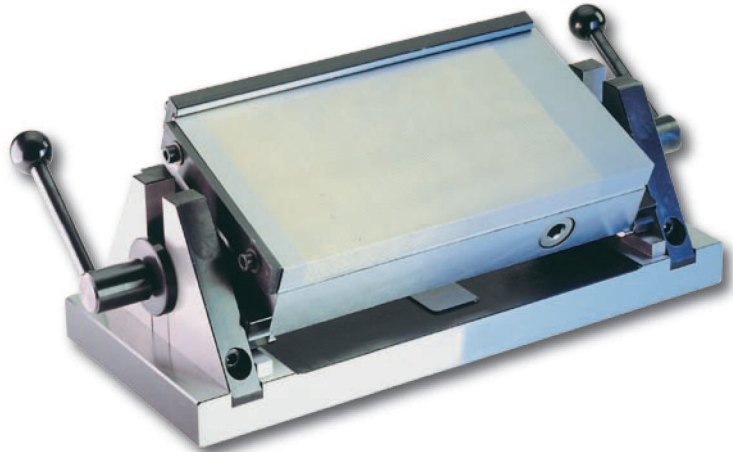
SAV 245.06

Swivel on middle-axis to both sides

### Design

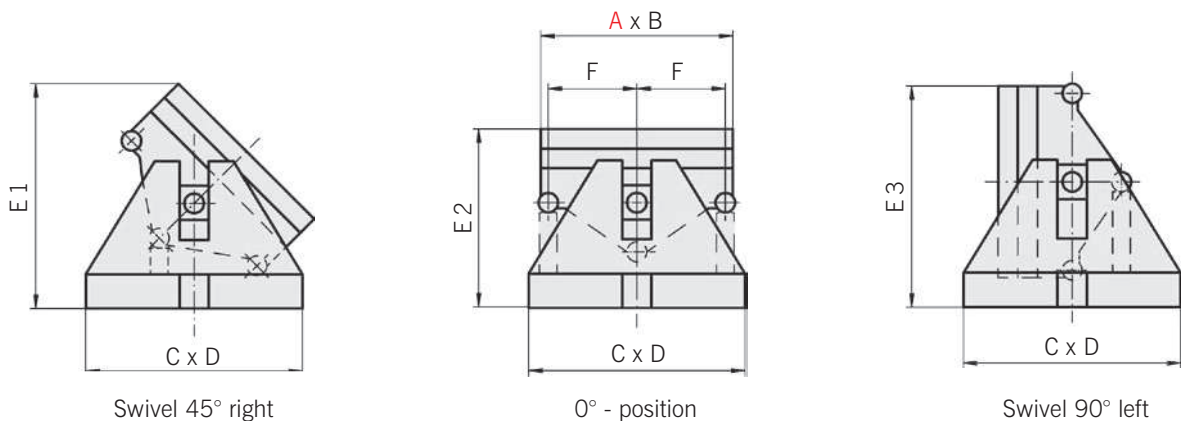
Swivel on longitudinal axis. Sine table base plate and other parts made from tool steel. Hardened to HRC 60, black finished and precision ground. Standard execution with permanent magnetic chuck 243.01. Highest accuracy and stability in every position. Delivery in wooden storage case up to dimension 350 x 150 mm. With sine table in of degrees / minutes in mm, precision long side stop and transverse side stop.

Angle precision:  $\pm 5$  sec.  
 Planar parallelism:  $\pm 0.005 / 100$  mm  
 Angle range:  $-90^\circ$  to  $+90^\circ$   
 Nom. holding force: 80 N/cm<sup>2</sup>  
 Pole pitch: 1.9 mm  
 Magnetic field height: 6 mm  
 Pole plate wearing limit: 8 mm



### Application

Setting of angles according sine principle, using an end-gauge up to  $90^\circ$ .



Dimensions in mm								Weight in kg
A	B	C	D	E1	E2	E3	F	
255	130	365	150	160	125	160	60	30.0
350	150	460	160	175	130	175	70	46.0
400	200	500	200	220	150	220	95	64.0
500	200	600	200	220	150	220	95	78.0
600	200	700	200	220	150	220	95	92.0

Other dimensions and executions also available with electro-magnet or other magnetic systems.

Ordering example: High precision sine table SAV 245.06 - 600  
 Ordering key: Name SAV No. - A